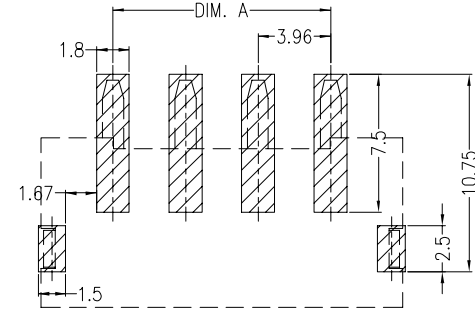
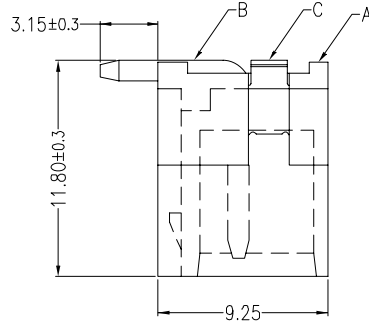
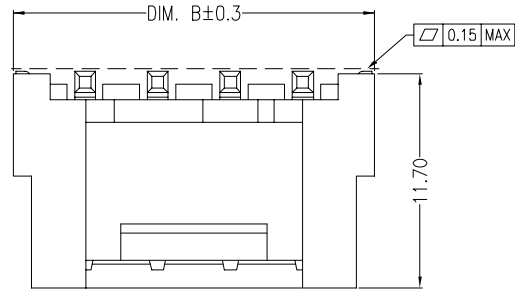
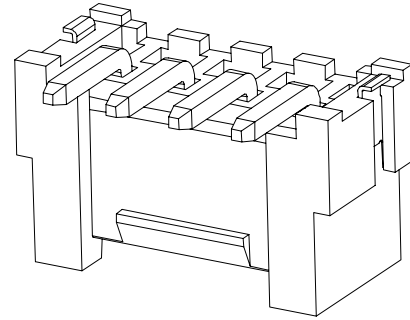
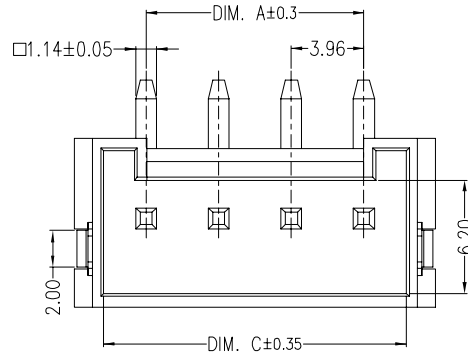


正式图	参考图	设变图
○		

REV.	ECN NO.	DESCRIPTION	DATE	DESIGN
AO	---	INITIAL RELEASED	2017.03.08	HAN MIN



RECOMMENDED PCB Layout
 DEFAULT TOLERANCES: ±0.10(TOP VIEW)

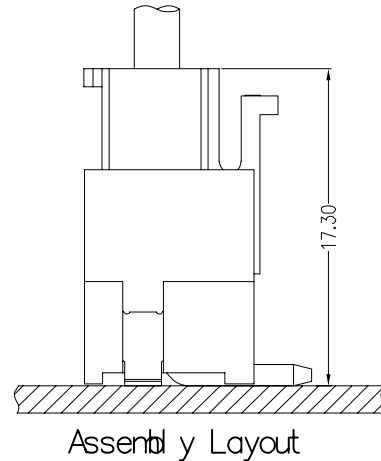
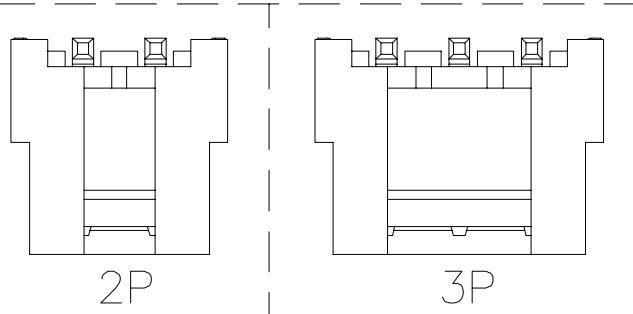


- NOTE:**
- Current Rating: 7A
 - Rated voltage: 250V AC\DC
 - Dielectric Withstanding Voltage: AC 500V/1minute
 - Contact resistance: ≤30mΩ
 - Insulation resistance: ≥100MΩ
 - Temperature range: -25°C to +85°C

Ordering information:
 VH39640-XXP-SDXX-XX00X
 (1) (2) (3) (4)

(1): NO OF PIN :02P ~ 16P
 (2): Terminal plating:
 AC=Bright Tin
 (3): Housing material
 9T=PA9T UL94V-0 6T=PA6T UL94V-0
 (4): Packing mode:
 1=in bags 3=Tube
 4=Tape & Reel

No.of PIN数	Dimensions		
	DIM A	DIM B	DIM C
02	3.96	11.88	8.60
03	7.92	15.84	12.56
04	11.88	19.80	16.52
05	15.84	23.76	20.48
06	19.80	27.72	24.44
07	23.76	31.68	28.40
08	27.72	35.64	32.36
09	31.68	39.60	36.32
10	35.64	43.56	40.28
11	39.60	47.52	44.24
12	43.56	51.48	48.20
13	47.52	55.44	52.16
14	51.48	59.40	56.12
15	55.44	63.36	60.08
16	59.40	67.32	64.04



4	CAP	1	LCP UL94V-0	Natural color
3	FITTING NAIL	2	BRASS	Tin-Plated
2	TERMINAL	N	BRASS	See Ordering information
1	HOUSING	1	See Ordering information	Natural color
NO.	PART NAME	QTY.	MATERIAL	REMARK

TOLERANCE		NAME(INTENDED USE) CUSTOMER DRAWING	ZHAOBO 浙江朝博电子有限公司 ZheJiang Zhaobo Electronic Co.,Ltd		
X.X ±0.30	X.* ±10°	PART NO.	TITLE: 3.96mm Pitch 180°Wafer-SMT TYPE带扣		
.XX ±0.20	.X.* ± 8°	See Ordering information	DRAWG NO. 03ZB-0036		
.XXX ±0.10	.XX.* ± 5°	DESIGN: HAN MIN	SCALE 1:1		
UNITS	mm	CHED:	SHEET 1/1		
MATERILA	----	APPD:	REV. AO		
FINISH	----				