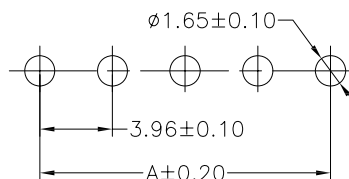
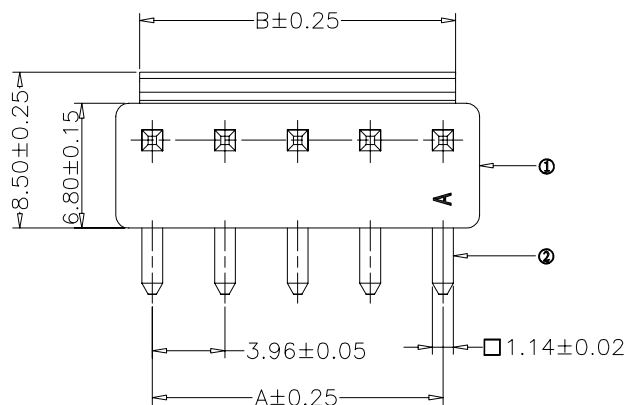
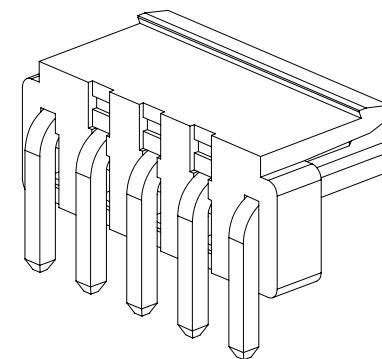
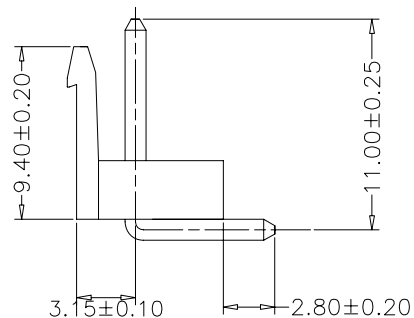
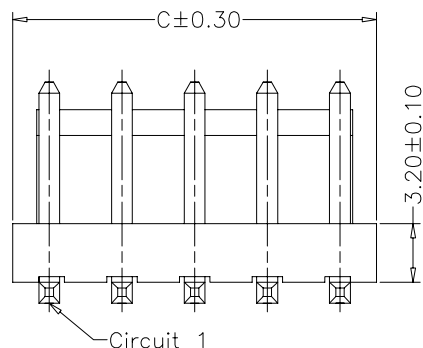


正式图 参考图 设变图



REV.	ECN NO.	DESCRIPTION	DATE	DESIGN
A0	---	INITIAL RELEASED	2017.03.08	HAN MIN



RECOMMENDED PCB Layout  
DEFAULT TOLERANCES:±0.10(TOP VIEW)

NOTE:

- 1.Current Rating: 7A
- 2.Rated voltage: 250V AC\DC
- 3.Dielectric Withstanding Voltage:  
AC 500V/1minute
- 4.Contact resistance: ≤30mΩ
- 5.Insulation resistance: ≥100MΩ
- 6.Temperature range:  
-25°C to +85°C

Ordering information:  
VH39620-~~XX~~P-SW~~XX~~-~~XX~~00~~X~~  
(1) (2) (3) (4)

- (1):Model:  
0=TYPE A K=TYPE K  
(2):NO OF PIN :02P ~ 16P  
(3):Terminal plating:  
AC=Bright Tin  
(4):Housing material  
PA=PA66 UL 94HB  
(5):Packing mode:  
1=in bags

No. of PIN数	Dimensions (mm)		
	A	B	C
02	3.96	5.34	7.94
03	7.92	9.30	11.90
04	11.88	13.26	15.82
05	15.84	17.22	19.82
06	19.80	21.18	23.78
07	23.76	25.14	27.74
08	27.72	29.10	31.70
09	31.68	33.06	35.66
10	35.64	37.02	39.62
11	39.60	40.98	43.58
12	43.56	44.94	47.54
13	47.52	48.90	51.80
14	51.48	52.86	55.46

TOLERANCE	NAME(INTENDED USE) CUSTOMER DRAWING	ZHAOBO 浙江朝博电子有限公司 ZheJiang Zhaobo Electronic Co.,Ltd		
X.X ±0.30	X.* ±10°	PART NO.	TITLE: 3.96mm Pitch 90°Wafer-DIP TYPE	
.XX ±0.20	.X.* ± 8°	See Ordering information	DRAWG NO. 01ZB-0034	
.XXX ±0.10	.XX.* ± 5°	DESIGN: HAN MIN	SCALE SHEET REV. 1:1 1/1 A0	
UNITS	mm	CHED: ZHU DE YIN	APPD: NI HAI QING	
MATERILA	----			
FINISH	----			

NO.	PART NAME	QTY.	MATERIAL	REMARK
2	TERMINAL	N	BRASS	See Ordering information
1	HOUSING	1	See Ordering information	White color