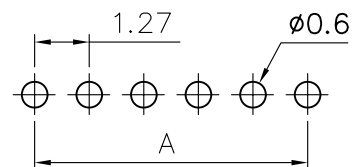
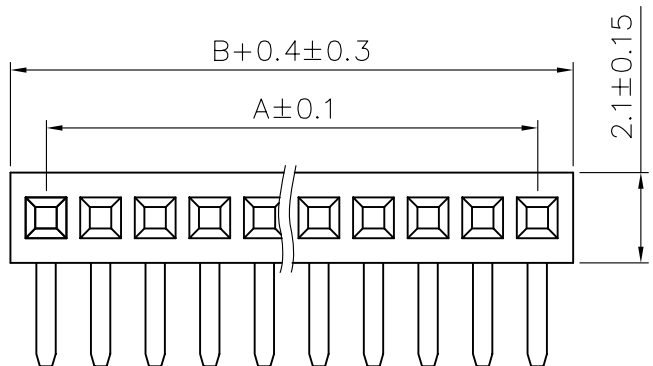


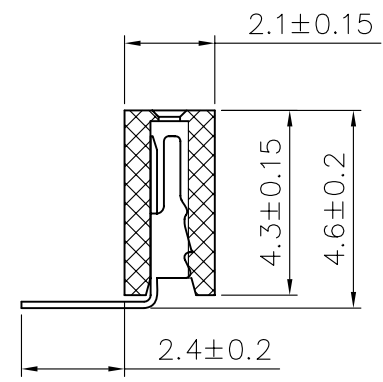
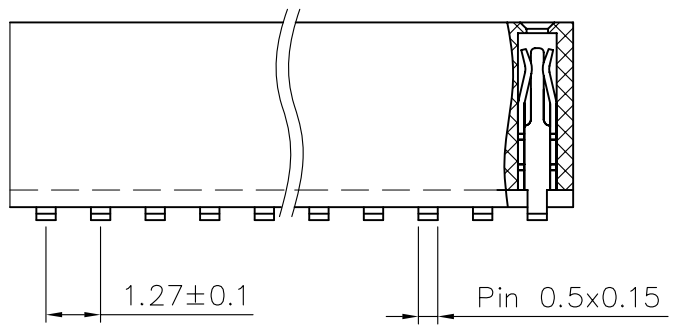
正式图 参考图 设变图



REV.	ECN NO.	DESCRIPTION	DATE	DESIGN
AO	---	INITIAL RELEASED	2021.04.13	HAN MIN



RECOMMENDED PCB Layout  
 DEFAULT TOLERANCES:±0.05(TOP VIEW)



**SPECIFICATIONS**  
 Current Rating: 1.0 Amps  
 Withstanding Voltage: AC 500V  
 Insulation Resistance:1000MΩ Min  
 Contact Resistance: 20mΩ Max  
 Operation Temperature:-40°to+105°  
 Insrlator Material: Polyester(UL94V-0)  
 Contact Material: Phosphor bronze  
 Standard: PA6T  
 Contact Plating: Gold Flash  
 Max.Processing Temp: 240°C for30-60seconds  
 (260°C for5seconds)

Ordering information:  
 PM12030-XXP-SWXX-XXXX  
 (1) (2) (3) (4)(5)(6)

- (1) Pin Spacing:12=1.27mm
- (2) NO OF PIN :01P~50P;
- (3) Contact Plating:  
A6=Gold Flash;
- (4) Material of housing:  
6T=PA6T UL94V-0
- (5) Housing Colour:  
BK=Black
- (6) Packing mode:  
1=Bagged;

No. of	DIM. A	DIM. B	No. of	DIM. A	DIM. B	No. of	DIM. A	DIM. B	No. of	DIM. A	DIM. B	No. of	DIM. A	DIM. B
1	—	—	11	12.70	13.97	21	25.40	26.67	31	38.10	39.37	41	50.80	52.07
2	1.27	2.54	12	13.97	15.24	22	26.67	27.94	32	39.37	40.64	42	52.07	53.34
3	2.54	3.81	13	15.24	16.51	23	27.94	29.21	33	40.64	41.91	43	53.34	54.61
4	3.81	5.08	14	16.51	17.78	24	29.21	30.48	34	41.91	43.18	44	54.61	55.88
5	5.08	6.35	15	17.78	19.05	25	30.48	31.75	35	43.18	44.45	45	55.88	57.15
6	6.35	7.62	16	19.05	20.32	26	31.75	33.02	36	44.45	45.72	46	57.15	58.42
7	7.62	8.89	17	20.32	21.59	27	33.02	34.29	37	45.72	46.99	47	58.42	59.69
8	8.89	10.16	18	21.59	22.86	28	34.29	35.56	38	46.99	48.26	48	59.69	60.96
9	10.16	11.43	19	22.86	24.13	29	35.56	36.83	39	48.26	49.53	49	60.96	62.23
10	11.43	12.70	20	24.13	25.40	30	36.83	38.10	40	49.53	50.80	50	62.23	63.50

TOLERANCE		NAME(INTENDED USE)	ZHAOBO 浙江朝博电子有限公司 Zhejiang Zhaobo Electronic Co.,Ltd		
X.X ±0.30	X.* ±10°	CUSTOMER DRAWING	TITLE: PM1.27 1xnPin H4.3 90° DIP PC2.4		
.XX ±0.20	.X* ± 8°	PART NO.	DRAWG NO. 03PM-0003		
.XXX ±0.10	.XX* ± 5°	See Ordering information	SCALE SHEET REV. 1:1 1/1 AO		
UNITS	mm	DESIGN: HAN MIN			
MATERILA	----	CHED: ZHU DE YIN			
FINISH	-----	APPD: NI HAI QING			