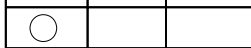
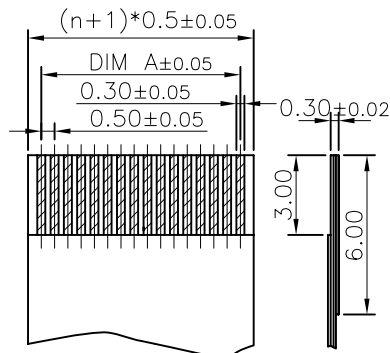
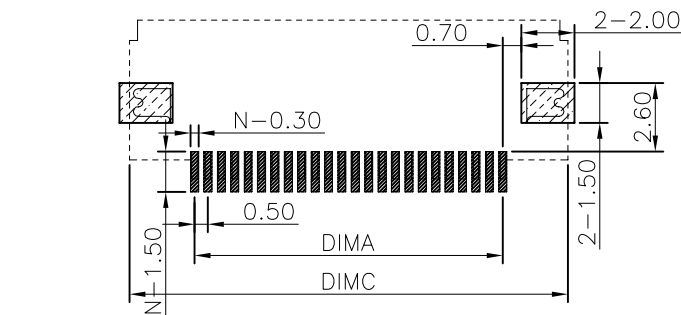
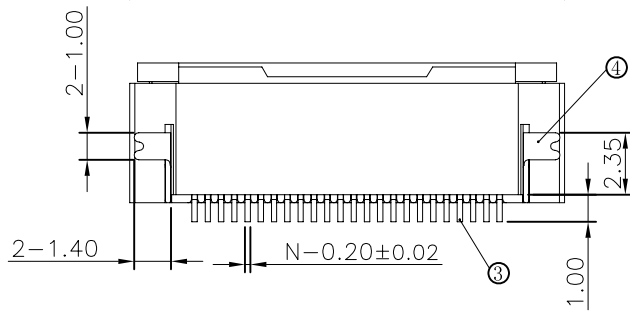
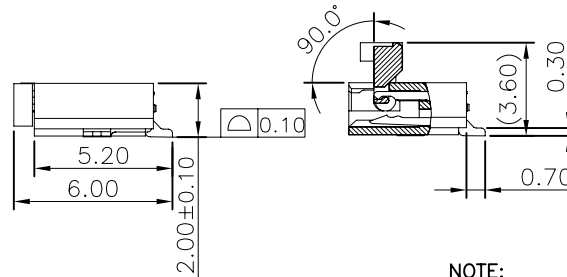
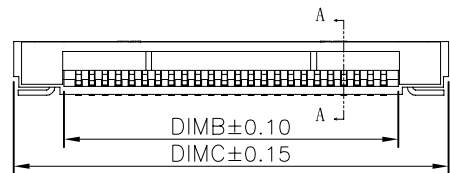
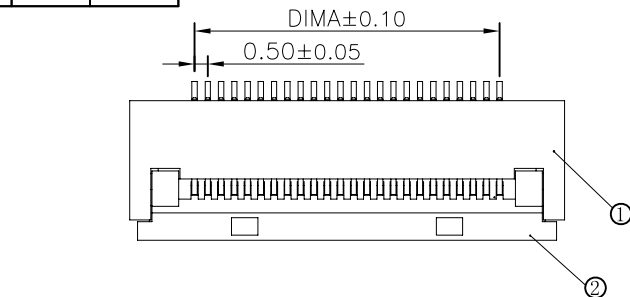


正式图 参考图 设变图



REV.	ECN NO.	DESCRIPTION	DATE	DESIGN
AO	---	INITIAL RELEASED	2017.06.07	HAN MIN



Applicable FFC

NOTE:

- 1.Current Rating: 0.5A
- 2.Rated voltage: 50V AC\DC
- 3.Dielectric Withstanding Voltage:
AC 250V/1minute
- 4.Contact resistance: ≤30mΩ
- 5.Insulation resistance: ≥500MΩ
- 6.Temperature range: -25°C to +85°C

Ordering information:
FPO5030-XXP-SSXX-LP00X
(1) (2) (3)

- (1):NO OF PIN :04P ~ 60P
(2):Terminal plating:
AC=Bright Tin AD=Foggy Tin
AE=Gold
(3):Packing mode:
3=Tube 4=Tape & Reel

NO.Of PIN数	Dimensions			NO.Of PIN数	Dimensions		
	DIM A	DIM B	DIM C		DIM A	DIM B	DIM C
04	1.50	2.60	6.40	33	16.00	17.10	20.90
05	2.00	3.10	6.90	34	16.50	17.60	21.40
06	2.50	3.60	7.40	35	17.00	18.10	21.90
07	3.00	4.10	7.90	36	17.50	18.60	22.40
08	3.50	4.60	8.40	37	18.00	19.10	22.90
09	4.00	5.10	8.90	38	18.50	19.60	23.40
10	4.50	5.60	9.40	39	19.00	20.10	23.90
11	5.00	6.10	9.90	40	19.50	20.60	24.40
12	5.50	6.60	10.40	41	20.00	21.10	24.90
13	6.00	7.10	10.90	42	20.50	21.60	25.40
14	6.50	7.60	11.40	43	21.00	22.10	25.90
15	7.00	8.10	11.90	44	21.50	22.60	26.40
16	7.50	8.60	12.40	45	22.00	23.10	26.90
17	8.00	9.10	12.90	46	22.50	23.60	27.40
18	8.50	9.60	13.10	47	23.00	24.10	27.90
19	9.00	10.10	13.90	48	23.50	24.60	28.40
20	9.50	10.60	14.10	49	24.00	25.10	28.90
21	10.00	11.10	14.90	50	24.50	25.60	29.40
22	10.50	11.60	15.10	51	25.00	26.10	29.90
23	11.00	12.10	15.90	52	25.50	26.60	30.40
24	11.50	12.60	16.40	53	26.00	27.10	30.90
25	12.00	13.10	16.90	54	26.50	27.60	31.40
26	12.50	13.60	17.40	55	27.00	28.10	31.90
27	13.00	14.10	17.90	56	27.50	28.60	32.40
28	13.50	14.60	18.40	57	28.00	29.10	32.90
29	14.00	15.10	18.90	58	28.50	29.60	33.40
30	14.50	15.60	19.40	59	29.00	30.10	33.90
31	15.00	16.10	19.90	60	29.50	30.60	34.40
32	15.50	16.60	20.40				

DEFAULT TOLERANCES: ±0.05(TOP VIEW)

NO	PART NAME	QTY.	MATERIAL	REMARK
④	FITTING NAIL	2	PHOSPHOR BRONZE	Sn-plated
③	TERMINAL	N	PHOSPHOR BRONZE	See Ordering information
②	SLIDER	1	LCP UL94V-0	Black
①	HOUSING	1	LCP UL94V-0	White

TOLERANCE		NAME(INTENDED USE) CUSTOMER DRAWING	浙江朝博电子有限公司 Zhejiang Zhaobo Electronic Co.,Ltd		
X.X ±0.30	X.* ±10°	PART NO.	TITLE: 0.5 Pitch掀盖卧式(H=2.0)		
.XX ±0.20	.X* ± 8°	See Ordering information	DRAWG NO. 01FP-0006		
.XXX ±0.10	.XX* ± 5°	DESIGN: HAN MIN	SCALE	SHEET	REV.
UNITS	mm	CHED: ZHU DE YIN	1:1	1/1	AO
MATERILA	----	APPD: NI HAI QING			
FINISH	-----				