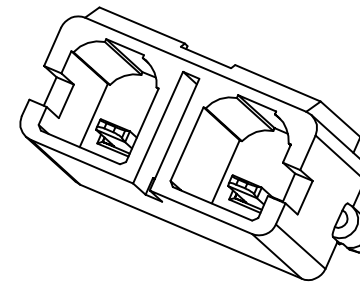
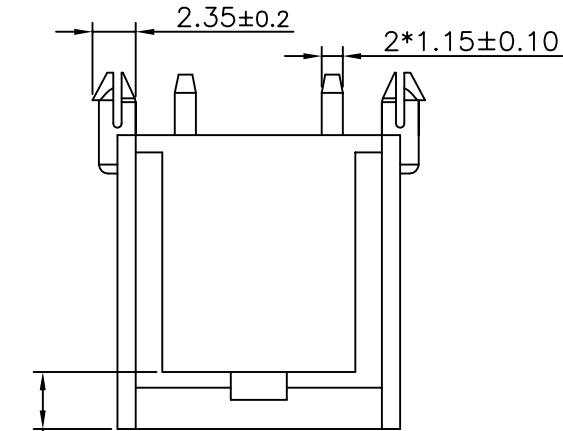


正式图 参考图 设变图



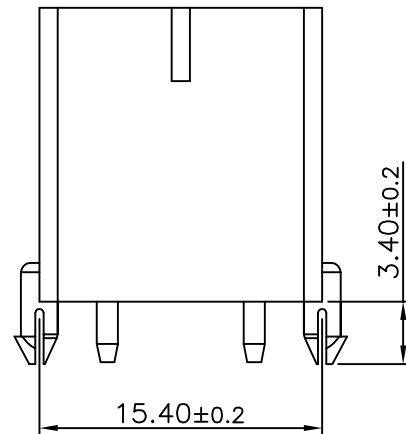
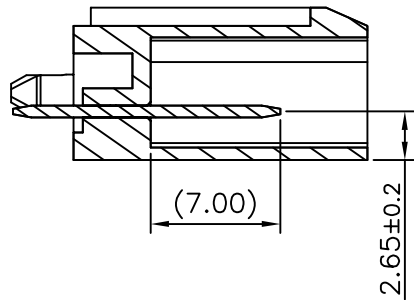
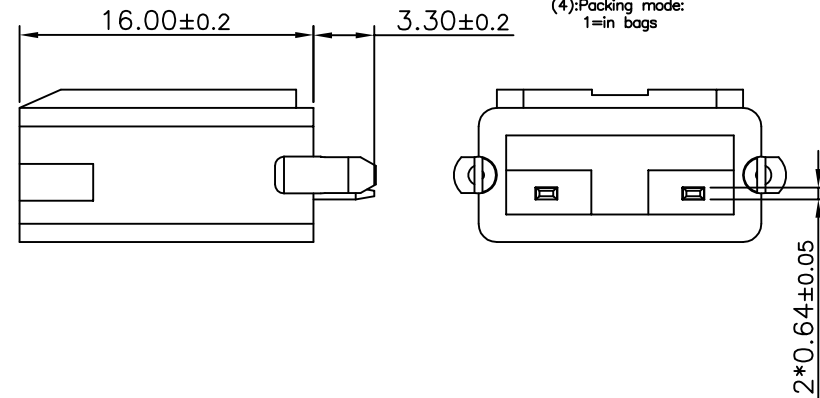
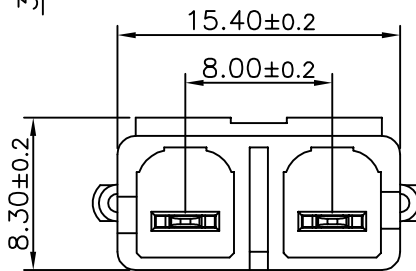
REV.	ECN NO.	DESCRIPTION	DATE	DESIGN
A0	ECN NO.	新版发行	2022.01.09	韩敏



- NOTE:
- 1.Current Rating: 10A
 - 2.Rated voltage: 250V AC\DC
 - 3.Dielectric Withstanding Voltage:
AC 1500V/1minute
 - 4.Contact resistance: $\leq 30m\Omega$
 - 5.Insulation resistance: $\geq 1000M\Omega$
 - 6.Temperature range:
-25°C to +85°C
 - 7.Terminal retention force: $\geq 20N$
 - 8.Housing: PA66 UL94V-2
 - 9.Terminal: Brass Tin-plated

Ordering information:
ZB80010-02P-SZAC-PA 37 1
(1) (2) (3) (4)

- (1):Terminal plating:
AC=Bright Tin
- (2):Housing material
PA=PA66 UL94V-2
- (3):Housing Colour:
37=Green
- (4):Packing mode:
1=in bags



TOLERANCE		NAME(INTENDED USE) CUSTOMER DRAWING	ZHAOBO 浙江朝博电子有限公司 ZheJiang Zhaobo Electronic Co.,Ltd		
X.X ±0.30	X.* ±10°	PART NO.	TITLE: 8.00mm Pitch 180°Wafer-DIP TYPE		
.XX ±0.20	.X' ± 8°	See Ordering information	DRAWG NO. 01ZB-0064		
.XXX ±0.10	.XX' ± 5°	DESIGN: HAN MIN	SCALE SHEET REV.		
UNITS	mm	CHED: ZHU DE YIN	1:1	1/1	A0
MATERILA	----	APPD: NI HAI QING			
FINISH	----				